

# Dehumidifier Recusorb **DR-40 T10,T16, -50R**

**DST** 

*Dehumidifying capacity at 20°C / 60%RH*

**1.6 - 2.8 kg/h**

*Dry air flow*

**550 - 600 m<sup>3</sup>/h**

- Washable rotor
- No desiccant carry-over
- Stainless steel chassis
- Easy to maintain
- Long lifetime
- Built-in heat recovery

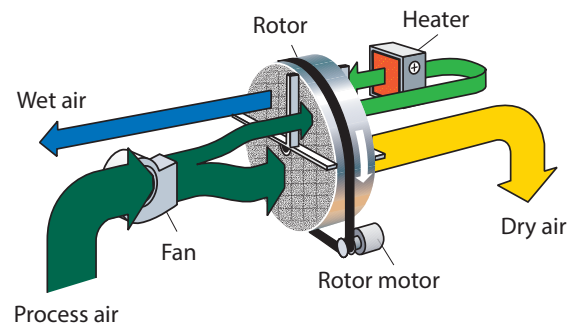


*Section of a dehumidifier rotor from Seibu Giken. The high number of channels means that moisture is adsorbed with extra efficiency.*

*World leaders in dehumidification.*

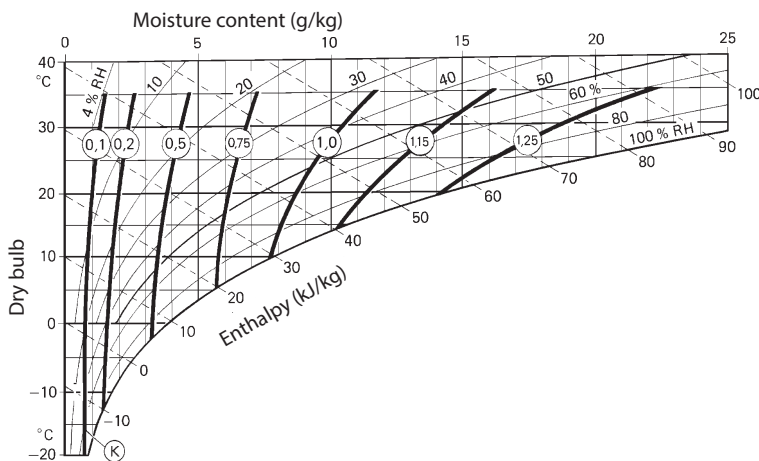
# TECHNICAL DATA

Dehumidifier model	DR-40 T10	DR-40 T16	DR-50R
Nominal capacity <sup>1</sup> (kg/h)	1.6	2.3	2.8
Dry air flow <sup>2</sup> (m <sup>3</sup> /h)	600	550	600
Static pressure at disposal (Pa)	150	150	150
Wet air flow <sup>2</sup> (m <sup>3</sup> /h)	120	150	180
Static pressure at disposal (Pa)	200	150	100
Heater current (A)	8 <sup>5</sup>	13 <sup>5</sup>	-
Heater power [kW]	-	-	4
Total power (kW)	2.3	3.2	4.2
Supply fuse (A)	10 <sup>3</sup>	16 <sup>3</sup>	10 <sup>4</sup>
Weight (kg)	45	45	60



- Valid for inlet conditions 20°C/60%RH. For other inlet conditions the capacity can be calculated by using the correction factor from the diagram shown below.
- Volume flow for density 1.20 kg/m<sup>3</sup>.
- Supply fuse 1 x 230 V 50 Hz.
- Supply fuse 3 x 400 V 50 Hz For 3 x 230 V 50Hz:16A. No neutral.
- The design of the PTC heater enables the power to be regulated by controlling the wet air flow.

# CORRECTION DIAGRAM



The temperature of the dry air at nominal air flow is calculated by:

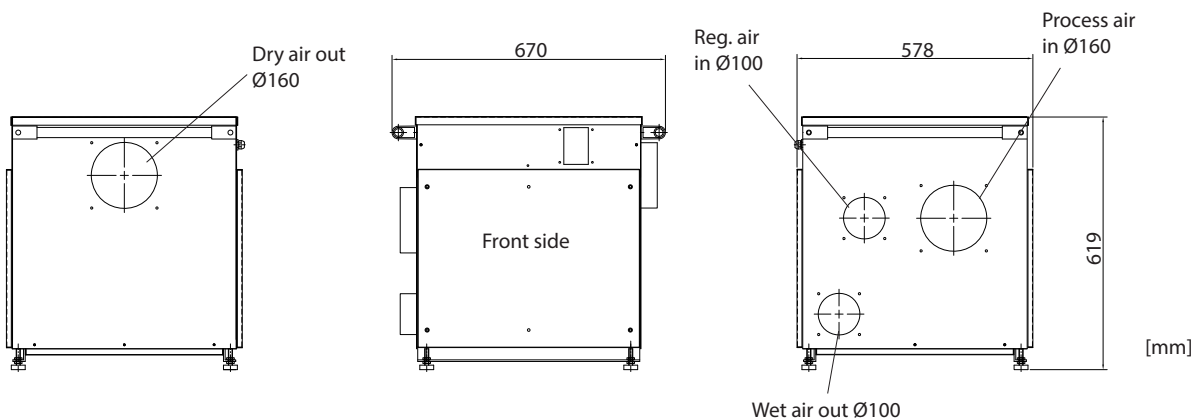
$$\text{DR-50 R: } t_{\text{out}} = t_{\text{in}} + (K \times 10) + 3^{\circ}\text{C}$$

$$\text{DR-40: } t_{\text{out}} = t_{\text{in}} + (K \times 7) + 3^{\circ}\text{C}$$

The dehumidifying capacity is estimated as the nominal capacity from above, multiplied by factor  $K$  from the correction diagram.

# DIMENSIONS

Subject to change without notice. Download installation drawing at [www.dst-sg.com](http://www.dst-sg.com)



Updated 18.12



DST East Africa | Nairobi, Kenya  
[info@dsteastfrica.ke](mailto:info@dsteastfrica.ke) | [www.dsteastfrica.ke](http://www.dsteastfrica.ke)