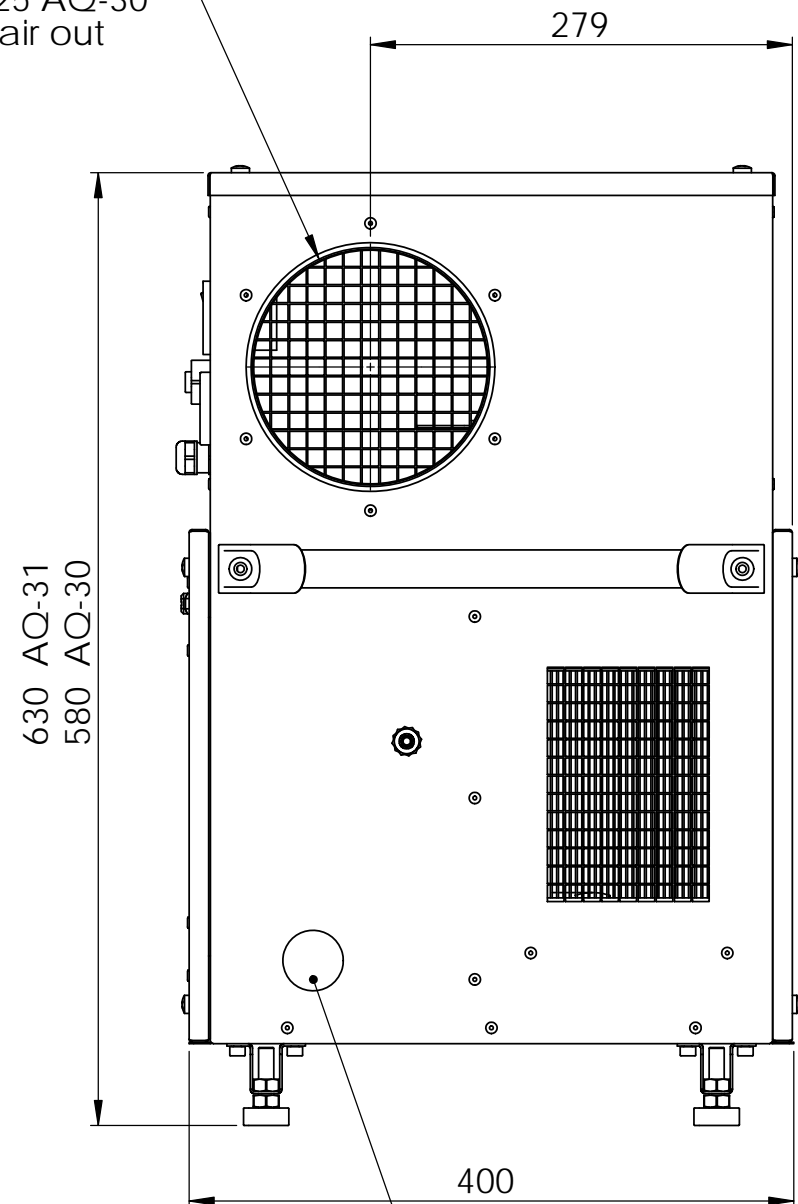
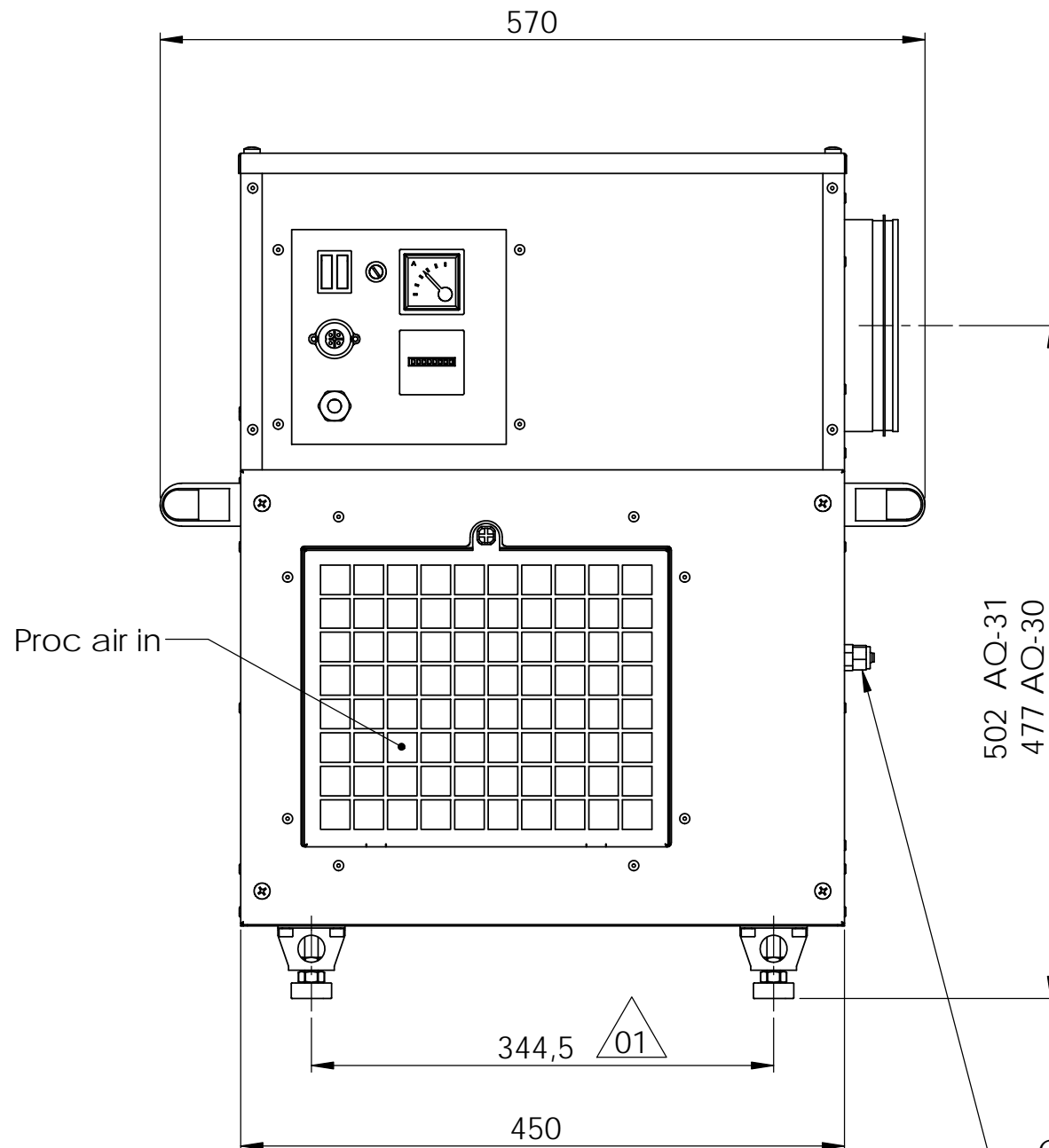


REVISIONS			
REV.	DESCRIPTION	DATE	APPROVED
01	Added C-C measure for the unit's feet	2016-11-08	SO

\varnothing 160 AQ-31
 \varnothing 125 AQ-30
 Dry air out



Inspection window
water level switch



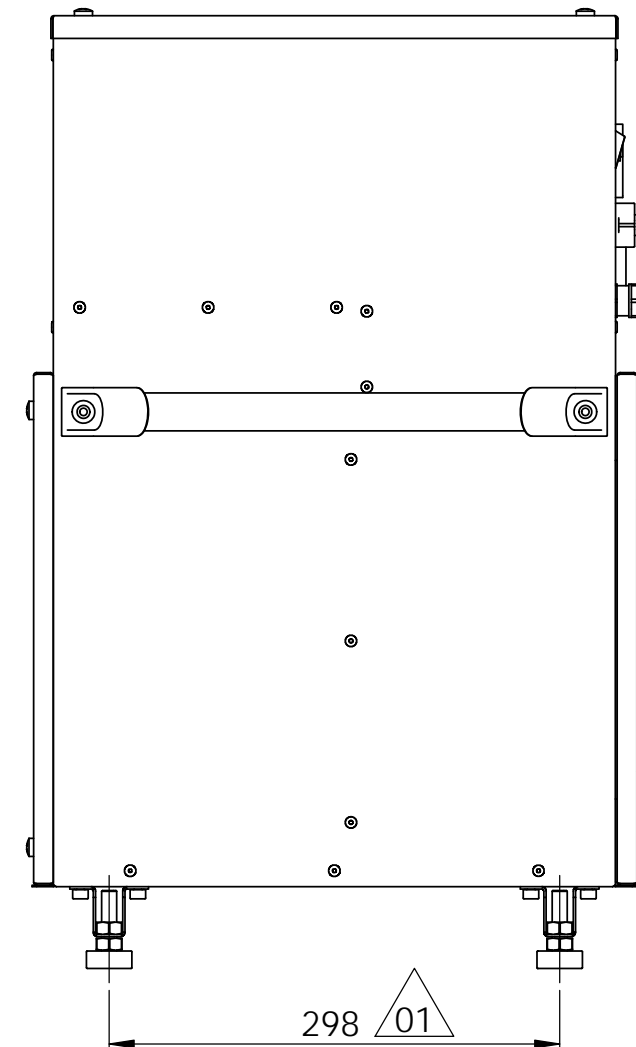
Proc air in

502 AQ-31
477 AQ-30

344,5 \triangle 01

450

Condensate water outlet
Hose: \varnothing 6,5 x \varnothing 10



298 \triangle 01

This document and its contents are the exclusive property of DST Seibu Giken and must not be copied, reproduced, transmitted or communicated to any other party or used for purposes not expressly permitted by us.



Seibu Giken DST AB
 +46 8 445 77 20
 www.dst-sg.com

Designed by	Stefan O	Date	2016-08-19
Drawn by	Stefan O	Date	2016-08-19
Approved by	-	Date	-
Material		Thickness	t=
Status	Construction	Tolerance	ISO 2768-1m
Scale	1:5	Format	A3
Sheet/Sheet	1/2	Rev Part	01
Weight (Kg)	34 / 38		

Title/Description		
Dimensionsritning Dimension drawing		
AQ-30/-31		
Drawing no	Rev	
DST07367	01+	